



# On-Board Controller ASIC (OBC- V2.1)



SCL Part No.

SC1211-0

## PRODUCT DESCRIPTION:

OBC-2.1 ASIC Architecture is based on 8-bit embedded micro-controller soft core (DW8051). The 8051 is interfaced with peripheral modules through Special Function Register (SFR) or Memory Bus. The ASIC has Mil-Std-1553 Remote Terminal (RT) functionality implement on-chip memory mapped to DW8051.

## FEATURES:

- 8-bit embedded micro-controller soft core
- Single 3.3 V Supply Operation
- 48 MHz Operating Frequency
- Quiescent Supply Current < 10 mA
- Operating Power < 2 W
- Operating Temperature: -55°C to 125°C
- 256 pin Ceramic Quad Flat Package/Cerquad
- 32-bit Floating Point Coprocessor (IEEE 754 compatible)
- Total 6 UARTs (1-RS422, 3-CMOS, 2-RS485)
- On-chip SRAM: 256 x 8 bits
- ADC (Delta Sigma ADC with 8 channel MUX)
- On-chip Mil 1553B RT core
- SCL's 180nm CMOS Technology

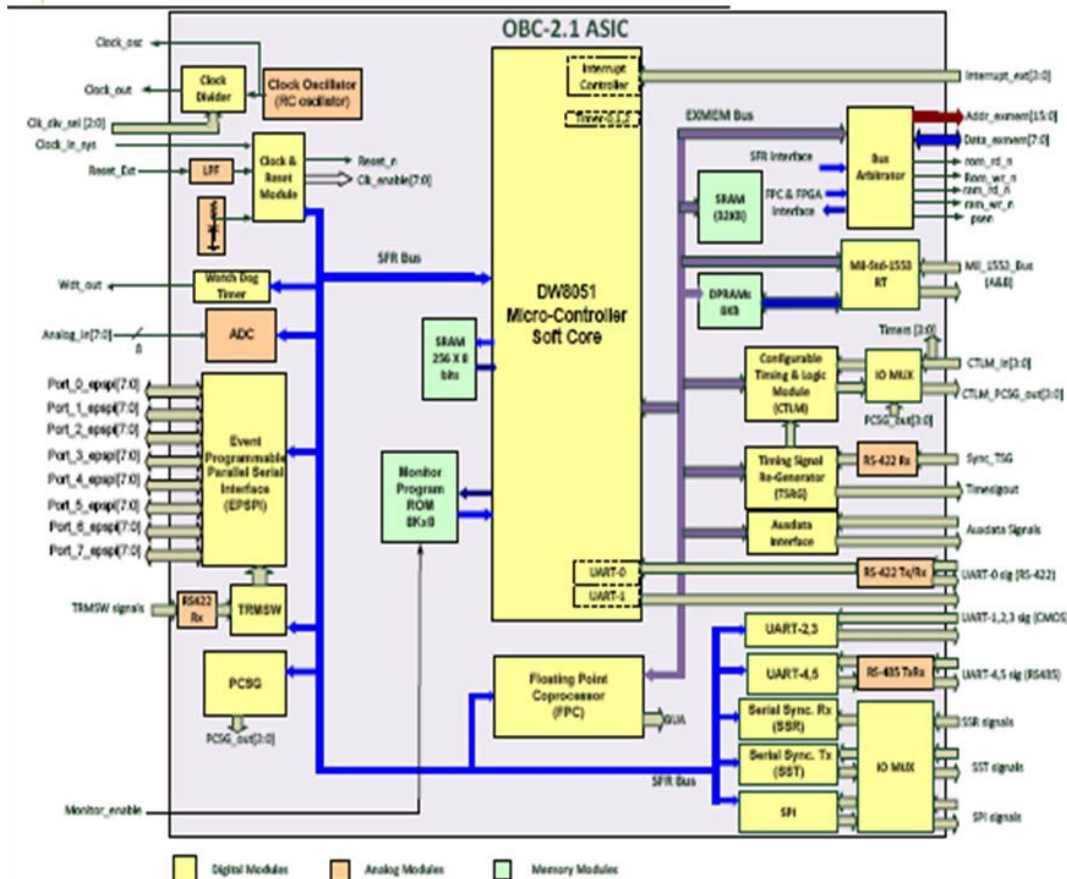


Figure-1 : OBC-2.1 ASIC Block Diagram